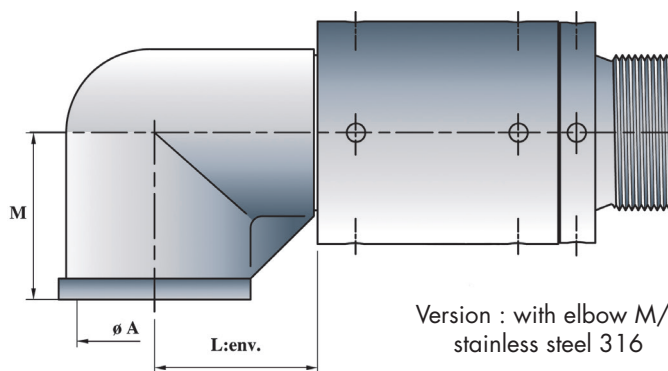
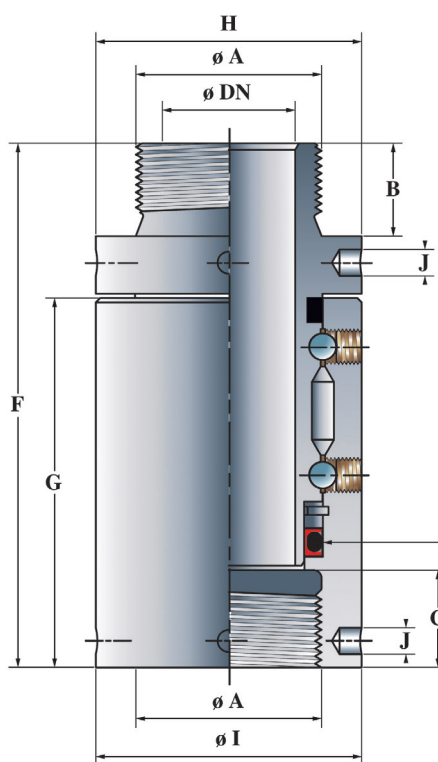


TECHNICAL FEATURES



REFERENCE	1000 K2 : nickel plated steel 1000 I2 : stainless steel
DIMENSIONS	1/4" to 6" BSP
MATERIAL	1000 K2 : nickel plated steel 1000 I2 : stainless steel 316 L
THREAD	Male and female connection Right-hand - BSPP thread
PRESSURE	0 to 80 bar except stainless steel (see table)
TEMPERATURE	200° C maxi
ROTATION	Slow or articulated rotation
APPLICATION	Attached fittings on hoses for decanting hose reels, etc...
OBSERVATIONS	Ball bearings and Teflon seal for easy rotation. Full bore.
CONNECTION	With hoses
USE	Oil, air, gas, vacuum, water (1000 K2), chemicals (1000 I2)



Version : with elbow M/F
stainless steel 316

Ref.	1013 K2 - I2	1017 K2 - I2	1021 K2 - I2	1027 K2 - I2	1034 K2 - I2	1042 K2 - I2	1049 K2 - I2	1060 K2 - I2	1076 K2 - I2	1090 K2 - I2	10114 K2 - I2	10140 K2 - I2	10165 K2 - I2
Ø A	1/4"	3/8"	1/2"	3/4"	1"	1" 1/4	1" 1/2	2"	2" 1/2	3"	4"	5"	6"
B	10	11	14	16	19	21	21	25	28	30	35	35	35
C	11	12	15	17	20	22	22	26	30	32	40	40	40
Ø DN	7	10	11	18	25	30	38	48	60	75	100	120	150
E	GR10V	GR817SRV	GR817SRV	GR827SRV	GR834SRV	GR842SRV	GR849SRV	GR860SRV	GR65V	GR80V	GR105V	GR130V	GR160V
F	63,5	72	78	95	107	118,5	131	150,5	171	185	235	255	275
G	45	51	54	67,5	75,5	83,5	96,5	111,5	128	140	178,5	203	227
H	19 / Flat	26 / Flat	26 / Flat	38 / Flat	Ø 52	Ø 60	Ø 65	Ø 80	Ø 95	Ø 106	138	170	200
Ø I	25	32	32	45	52	60	65	80	95	106	Ø 138	Ø 170	Ø 200
J	Ø 5	Ø 5	Ø 5	Ø 6	Ø 6	Ø 6	Ø 6	Ø 7	Ø 7	Ø 7	Ø 7	Ø 7	Ø 7
L	20	28	30	32	39	44	51	60	75	87	100		
M	20	24	28	32	38	45	50	58	70	78	97		
Max. Pressure K/I	80/30	80/30	80/30	60/25	60/25	40/20	40/20	30/15	30/15	30/15	20/10	20/10	15/8